

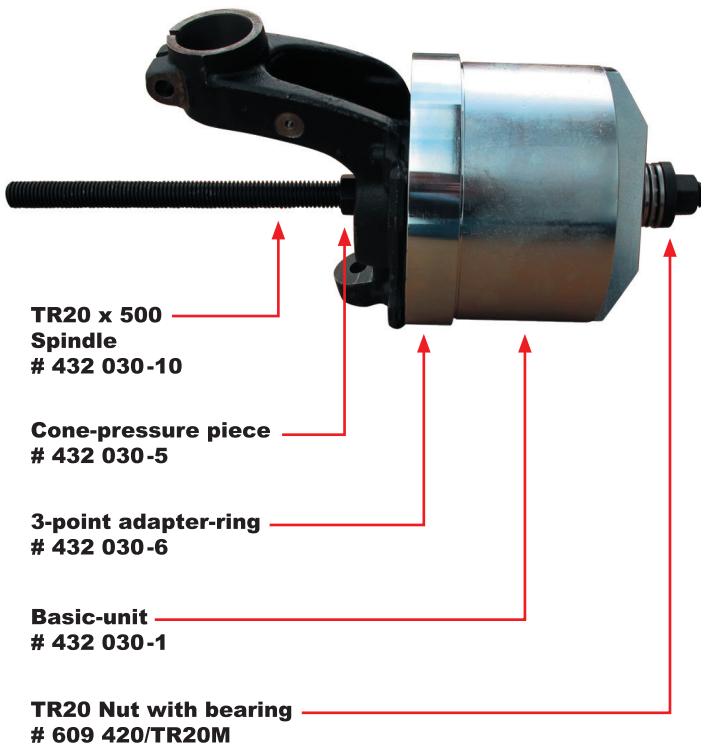
German Automotive Tool Innovator



UNI WHEEL BEARING KIT

De-mounting

Example of use: Bearing Hub Units / HBU



TR20 x 500
Spindle
432 030-10

Cone-pressure piece
432 030-5

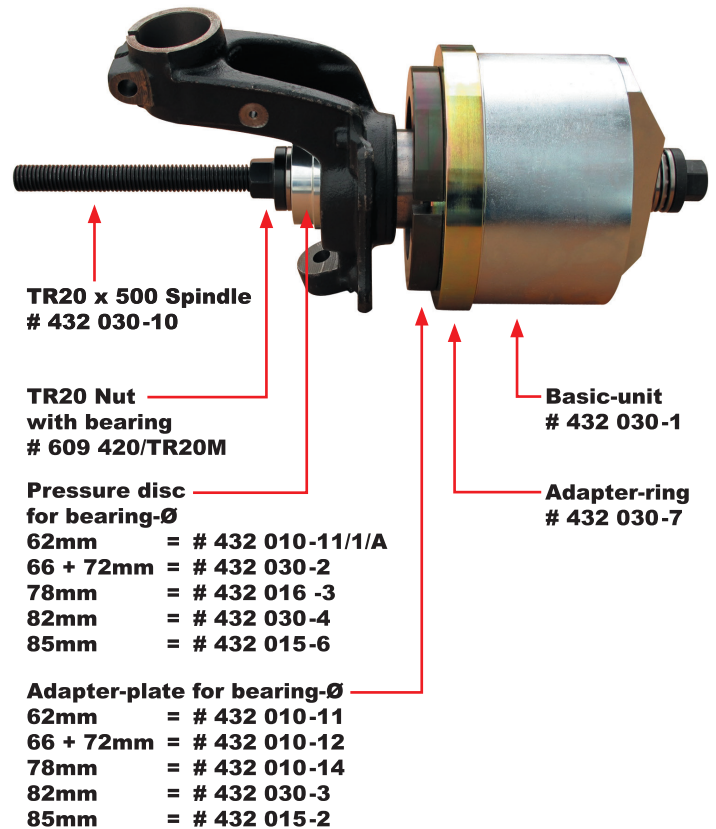
3-point adapter-ring
432 030-6

Basic-unit
432 030-1

TR20 Nut with bearing
609 420/TR20M

Mounting

Example of use: Bearing Hub Units / HBU



TR20 x 500 Spindle
432 030-10

TR20 Nut
with bearing
609 420/TR20M

Pressure disc
for bearing-Ø
62mm = # 432 010-11/1/A
66 + 72mm = # 432 030-2
78mm = # 432 016 -3
82mm = # 432 030-4
85mm = # 432 015-6

Adapter-plate for bearing-Ø
62mm = # 432 010-11
66 + 72mm = # 432 010-12
78mm = # 432 010-14
82mm = # 432 030-3
85mm = # 432 015-2

Basic-unit
432 030-1

Adapter-ring
432 030-7

Suitable for almost all vehicles **with bearing hub units (compact bearings)** as well as with **conventional wheel bearings**.

For **disassembly** as well as **assembly**.

Also for use with hydraulic hollow piston cylinders (no. 300 120) or under the workshop press.

Supplied with a mechanical, impact wrench resistant, trapezoidal threaded spindle. Supplied in sturdy case. All parts are also available separately. Made in Germany.

432 030 Uni wheel bearing kit