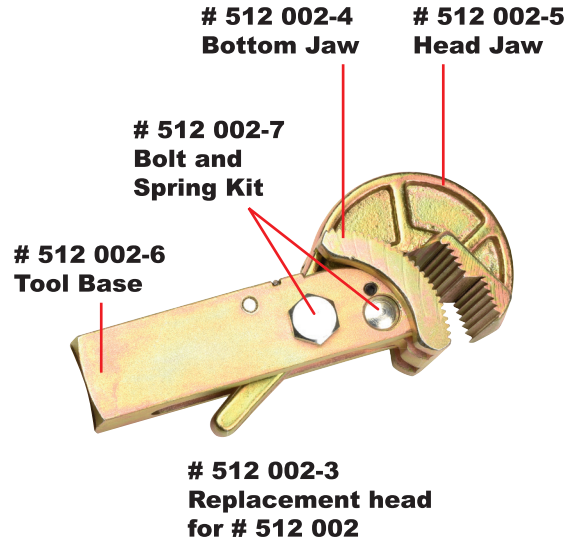


TIE ROD WRENCH



512 002-1
Handle short



512 002-2
Handle long

Inner tie rod multi grip plier!

Alignment problems because of rusty and stocked inner tie rod adjustments?

This plier has the grip you need on any round or hex surface of the rod. Two lengths of levers for maximum power or narrow spaces.

Grip width: 40 mm
Grip diameter: 14 - 23 mm
Lever length: 260 - 390 mm

512 002 Tie Rod Wrench