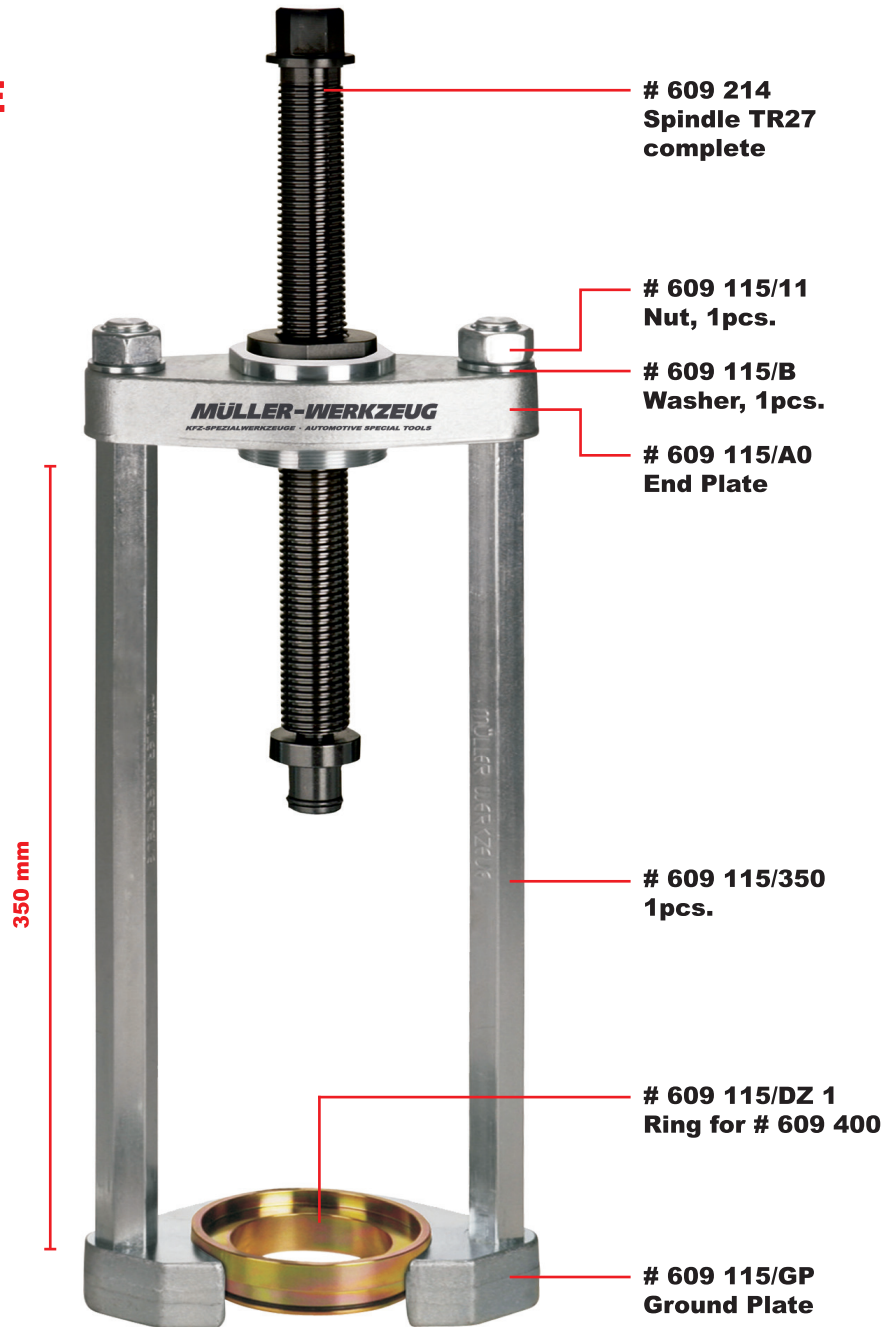


XL PRESS FRAME



A supplementary tool for
609 460, XL C-Clamp and
609 390, # 609 399 and # 609 400,
Universal Press Pull Sleeve Kit.

Specifically made to increase power and speed.

**# 609 316 XL Press Frame
with Impact Spindle
(350 mm) long**