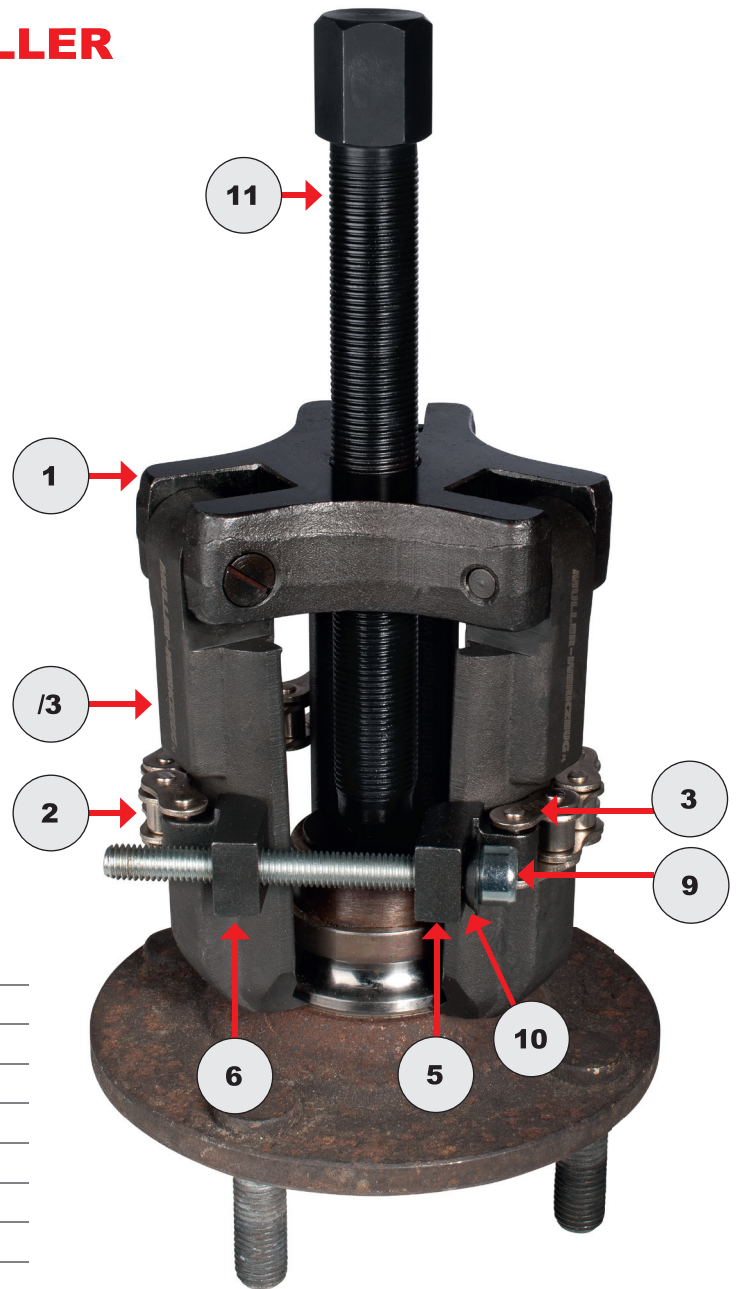


German Automotive Tool Innovator

PARTS UNIVERSAL RACE PULLER



# 650 200 -1	3-Arm-Puller (Basic tool)
# 650 200 -2	Chain 200 mm excl. connector
# 650 200 -3	Chain connector with spring
# 650 200 -4	Tool foam
# 650 200 -5	Adapter with M 8 inner treath
# 650 200 -6	Adapter with 10 mm hole
# 650 200 -7	Hex key 6 mm
# 650 200 -8	Plastic box
# 650 200 -9	Bolt M 8 x 80 mm
# 650 200 -10	Cone washer M 8
# 650 200 -11	Spindle M 20 x 1,5 with press cone
# 650 201/3	Legs 3-pc.
# 650 202	Extraction chain complete for # 650 200
# 650 204	Press cone small for spindle # 650 200
# 650 205	Basic leg holder for # 650 200
# 650 211	Press cone large for spindle # 650 200

650 200 Universal Race Puller

U.S. Patent pending